



# Multilift

VERTICAL PLATFORM LIFT

## PLANNING GUIDE

**Applicable Codes:**

**ASME A17.1**

**ASME A18.1**

**CSA B613**

01-m06-2011  
Part No. 000736

---

Copyright © 2011  
Savaria Corporation  
All rights reserved.

Printed in Canada

---

## Purpose of this guide

This guide assists architects, contractors, and lift professionals to incorporate the Multilift Vertical Platform Lift into a residential or public building design. The design and manufacture of the Multilift Vertical Platform Lift meets the requirements of the ASME A17.1, ASME A18.1, and CSA B613 Safety Standards.

We recommend that you contact your local authority having jurisdiction to ensure that you adhere to all local rules and regulations pertaining to vertical platform lifts.

## IMPORTANT NOTICE

This Planning Guide provides nominal dimensions and specifications useful for the initial planning of a vertical platform lift project. Dimensions and specifications are subject to change without notice due to continually evolving code and product applications.

Before beginning actual construction, please consult Savaria Corporation or the authorized Savaria dealer in your area to ensure you receive your site-specific installation drawings with the dimensions and specifications for your project.

Visit our website ([www.savaria.com](http://www.savaria.com)) for the most recent Multilift drawings and dimensions.

## How to use this guide

- 1 Determine your client's intended use of the lift.
- 2 Determine the local code requirements.
- 3 Determine the site installation parameters.
- 4 Determine the cab type and hoistway size requirements.
- 5 Plan for electrical requirements.

## History

December 10, 2010

- Initial release of new format

January 21, 2011

- Added Mobile Multilift drawing on pg. 24

February 24, 2011

- Added information for automatic access ramp to "Features" in Specifications table on pg. 6

June 1, 2011

- Updated all drawings to reflect current design

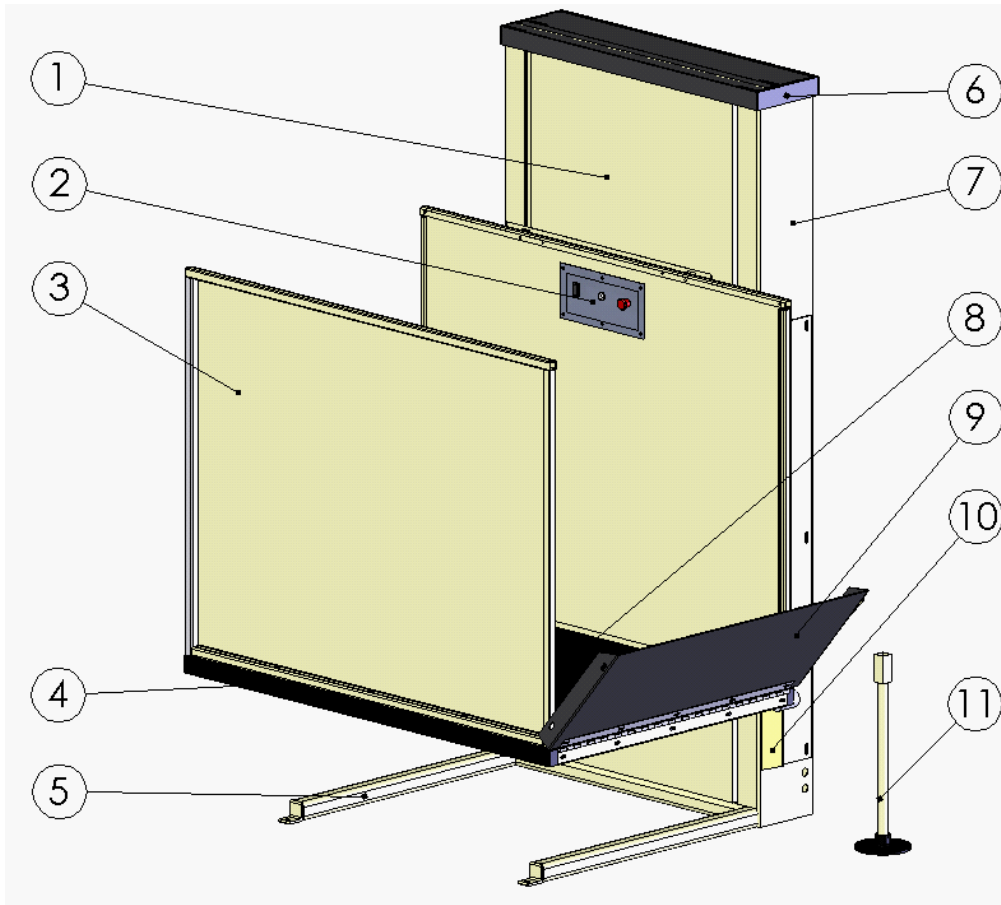
## Description

The Multilift Vertical Platform Lift is designed to provide easy access from one landing to another. The versatile design of this lift can be adapted to most architectural requirements and its rugged construction allows for outdoor or indoor use. It is an ideal deck lift for home use and is also approved for certain commercial accessibility projects as well. The Multilift, with its ACME screw drive system, provides safe and reliable operation.

## Lift components

The Multilift consists of a tower and a platform as shown in Figure 1.

Figure 1: Typical lift

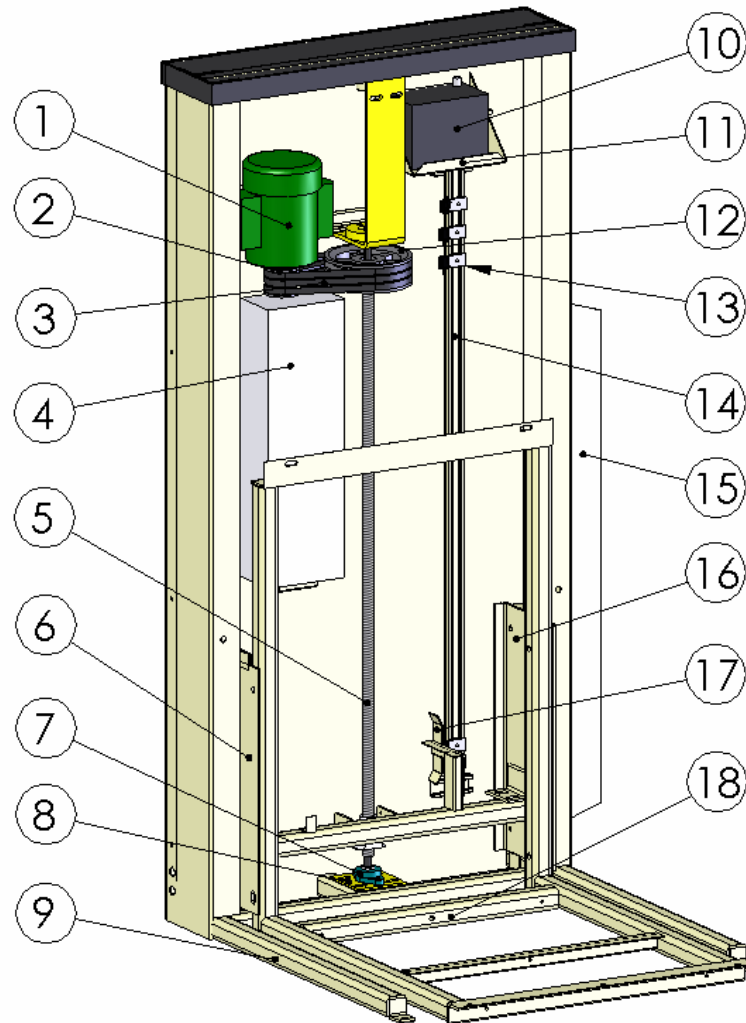


Number	Description	Number	Description
1	Front tower panel	7	Tower
2	Car operating panel (C.O.P.)	8	Non-skid platform
3	Side guard panel	9	Automatic access ramp
4	Safety underpan sensors	10	Access ramp channel
5	Self support base	11	Manual lowering device
6	Tower cover	-	-

## Drive tower components

The Multilift drive tower components are shown in Figure 2.

Figure 2: Drive tower



Number	Description	Number	Description
1	Motor	10	Battery (optional)
2	Main pulley	11	Battery tray
3	V strap	12	Pulley
4	Controller box	13	Limit switches (may vary)
5	Acme screw	14	Unistrut
6	Left roller guide	15	Access ramp channel
7	Lower bearing	16	Right roller guide
8	Lower bearing plate	17	Cam assembly
9	Self support base	18	Carriage assembly

## Specifications

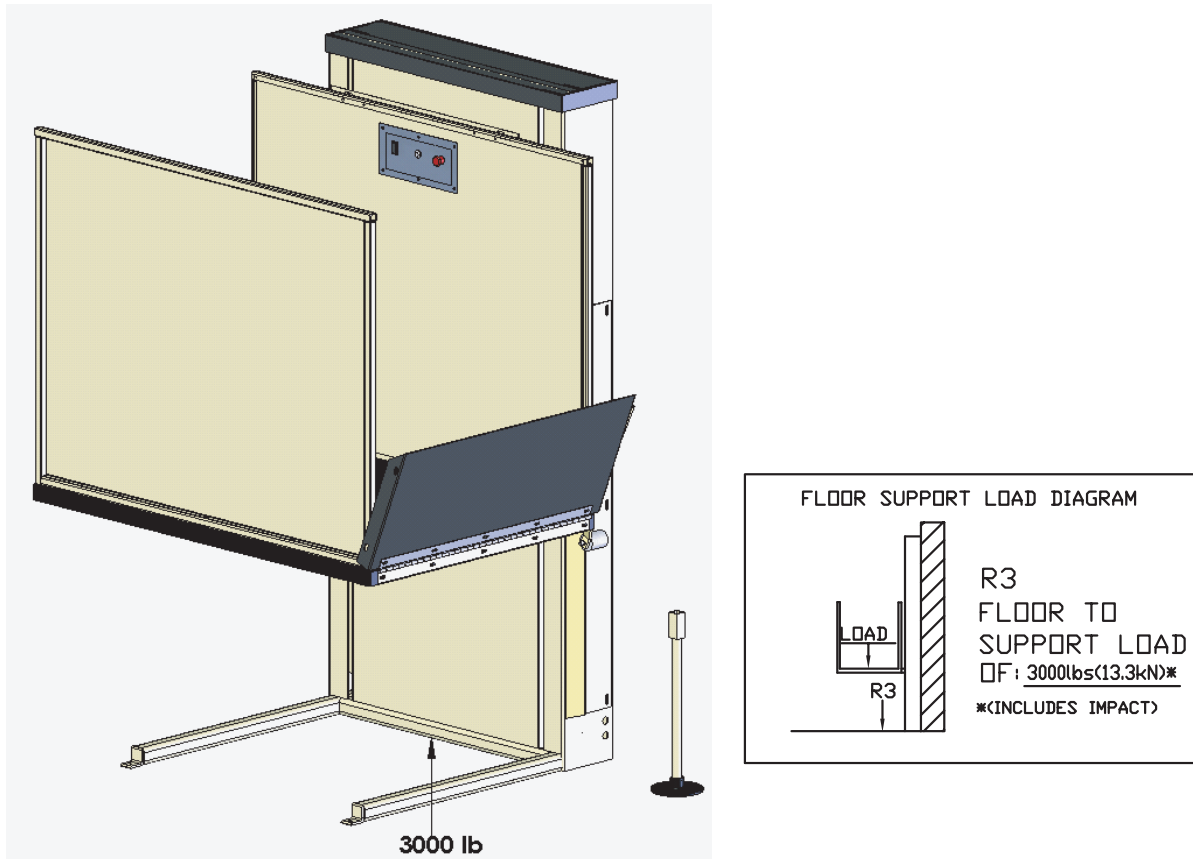
### Multilift specifications

Applications	Residential (indoor/outdoor); commercial (U.S.A.)
Load capacity	750 lb (340 kg)
Maximum travel distance	48" (1219 mm); optionally 72" (1829 mm)
Levels serviced	2
Travel speed	8 ft/min (0.04 m/s)
Cab types/sizes	<p>Type 2 (enclosed and unenclosed hoistway):</p> <ul style="list-style-type: none"> <li>• 34" x 48" (863 mm x 1219 mm)</li> <li>• 34" x 54" (863 mm x 1371 mm)</li> <li>• 34" x 60" (863 mm x 1524 mm)</li> </ul> <p>Type 3/4: (enclosed and unenclosed hoistway):</p> <ul style="list-style-type: none"> <li>• 35" x 47" (889 mm x 1194 mm)</li> <li>• 35" x 53" (889 mm x 1346 mm)</li> <li>• 35" x 59" (889 mm x 1499 mm)</li> </ul> <p>Type 2 with platform gate (unenclosed hoistway):</p> <ul style="list-style-type: none"> <li>• 36" x 48" (914 mm x 1219 mm)</li> <li>• 36" x 54" (914 mm x 1371 mm)</li> <li>• 36" x 60" (914 mm x 1524 mm)</li> </ul> <p>Type 3/4 with platform gate (unenclosed hoistway):</p> <ul style="list-style-type: none"> <li>• 36" x 47" (914 mm x 1194 mm)</li> <li>• 36" x 53" (914 mm x 1346 mm)</li> <li>• 36" x 59" (914 mm x 1499 mm)</li> </ul>
Side guard panels	42 1/8" (1070 mm) side guard panels on platform
Cab access	Front/rear access - standard (platform Type 2) 90 degree access - optional (platform Type 3 and 4)
Power supply	120 VAC, 20 A, 60 Hz, single phase
Drive system	Acme screw and back-up nut 1 hp (0.75 Kw) motor, 110 VAC Optional 1/2 hp, 12-volt battery model available
Control system	Electronic-free relay logic controller
Finish	Beige electrostatic powder coat paint on all steel surfaces and vacuum-formed plastics
Features	<p>Call/send stations at landings</p> <p>Continuous-pressure type buttons</p> <p>Operating control buttons on platform</p> <p>Emergency manual lowering/raising device</p> <p>Low-voltage controls</p> <p>Underpan sensors</p> <p>Non-skid platform surface</p> <p>Automatic access ramp (16"); field reversible to suit installation needs</p> <p>Emergency stop button</p> <p>Optional 12-volt battery model</p>

## Site construction details

The self-supporting base must be able to support at least 3000 lb (13.3 kN) per Figure 3 and must be anchored to a concrete slab (or floor) per Figure 4. Make sure the slab (floor) surface is level.

**Figure 3: Floor loading diagram**



**Figure 4: Anchor points**

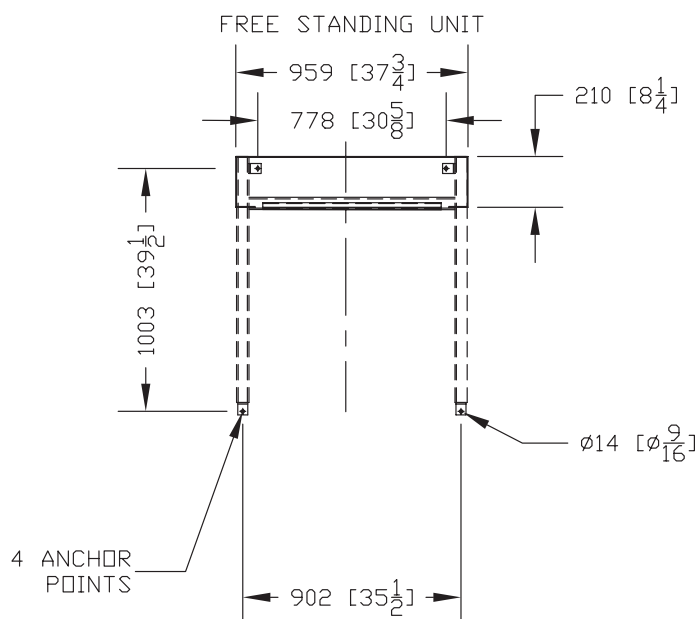
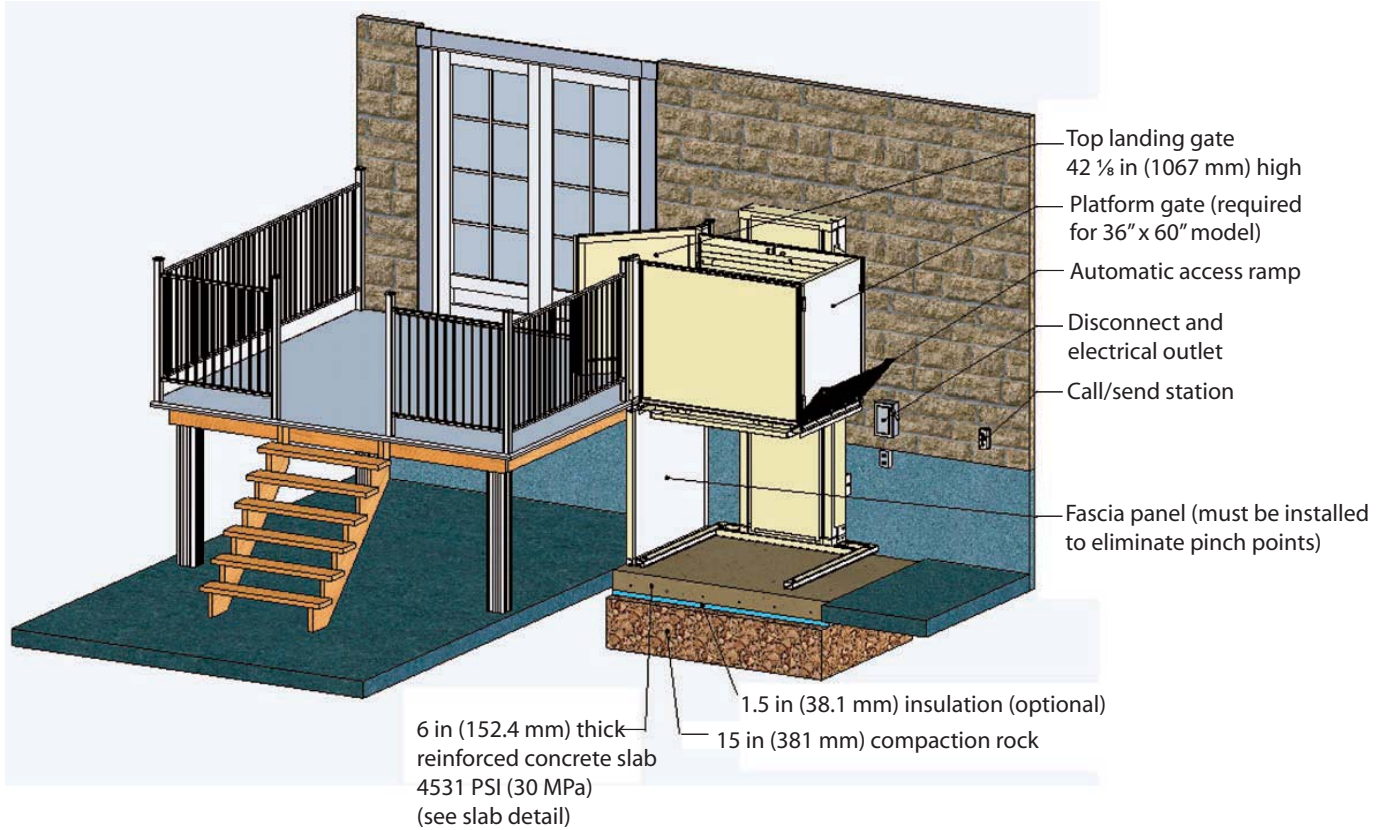


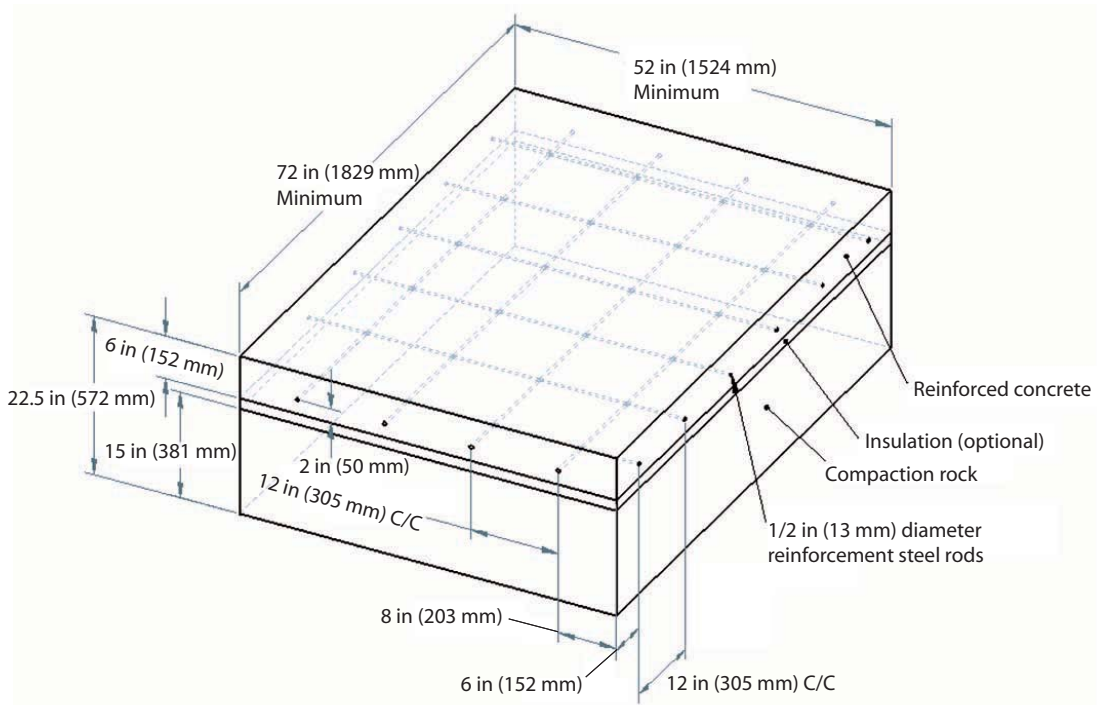
Figure 5 illustrates the site construction details for a typical outdoor application.

**Figure 5: Sample unenclosed outdoor application**



Outdoor applications need a strong and stable surface that will not move throughout the years. For this reason, it is essential, when the temperature can get below the freezing point, to insert an insulate sheet between the concrete slab and the compaction rock. Figure 6 illustrates the concrete slab detail for a typical outdoor application.

**Figure 6: Concrete slab detail**





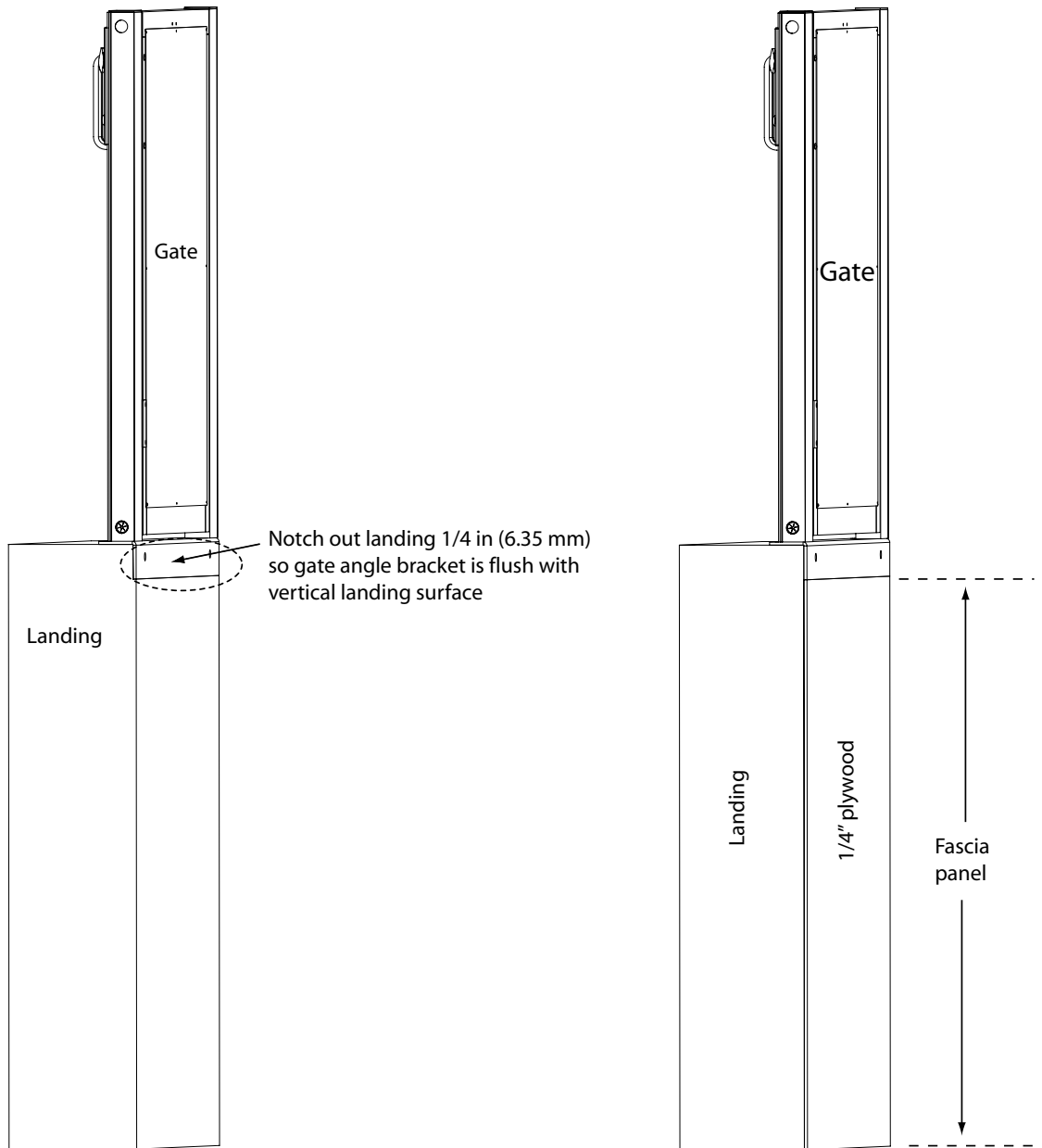
## Landing gate/door details

Landing gate/door details are specific to each job site. Be sure to refer to your site-specific installation drawings.

There are two options that can be used when preparing for installation of the gate (or door with sill angle). Figure 7 illustrates the two options for a gate. Refer to the Installation Guide for details on installing the landing gate or door.

- Option 1 – Notch out the landing so that the gate angle bracket (or door sill angle) is flush with the vertical landing surface.
- Option 2 – Install a 1/4" fascia panel to fill in the gap in the vertical landing surface from underneath the gate angle bracket (or door sill angle) down to the floor/ground. If your site has a hoistway or pit, be sure to add 1/4" to those dimensions to account for the 1/4" fascia panel.

**Figure 7: Options used when installing a gate**



**Notch out landing to install gate**

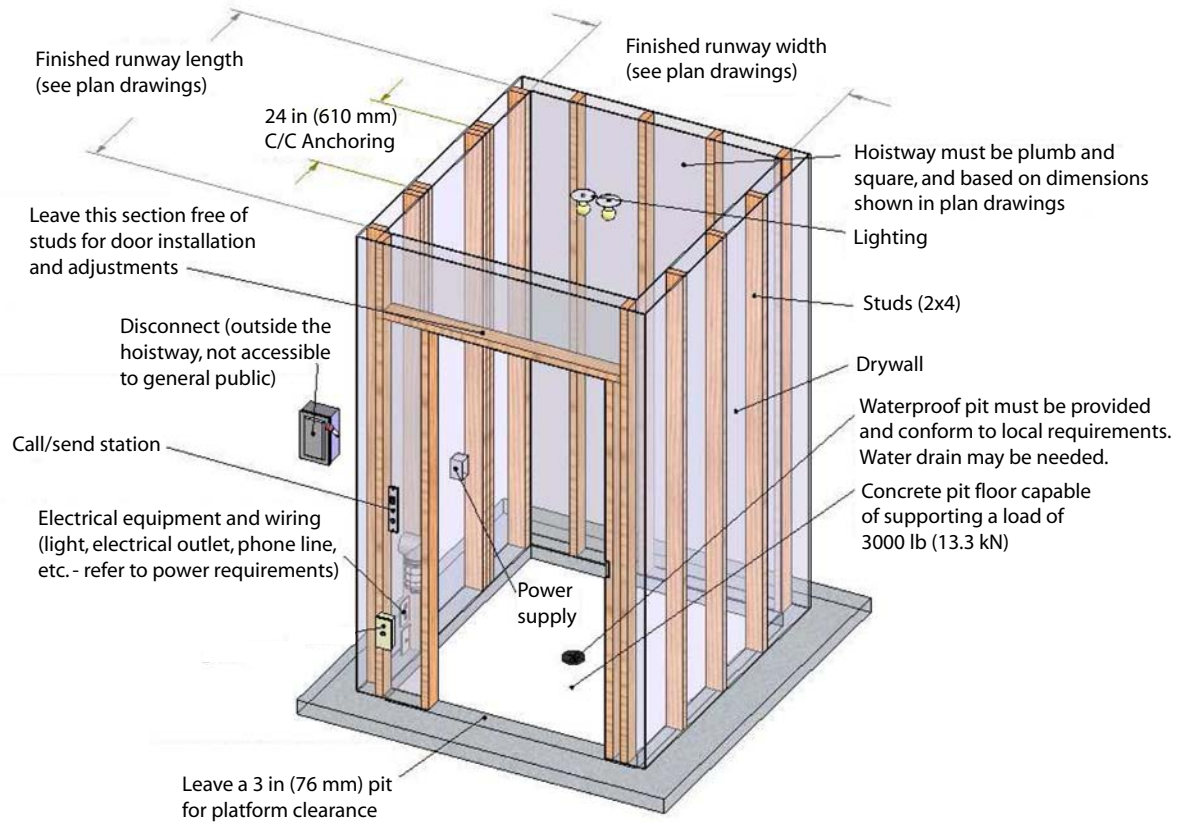
**Install fascia panel for gate**

## Commercial requirements

Following are the requirements for commercial applications.

ASME A17.1: An enclosure or hoistway is required (see Figure 8 below).

**Figure 8: Hoistway requirements**



ASME A17.1/A18.1: The items listed below are required.

- Grab bar (hand rail)
- Emergency light on platform
- Controller redundancy
- Emergency stop/alarm
- Platform gate or hoistway
- Top landing gate
- Disconnect (provided by others)
- Door locks

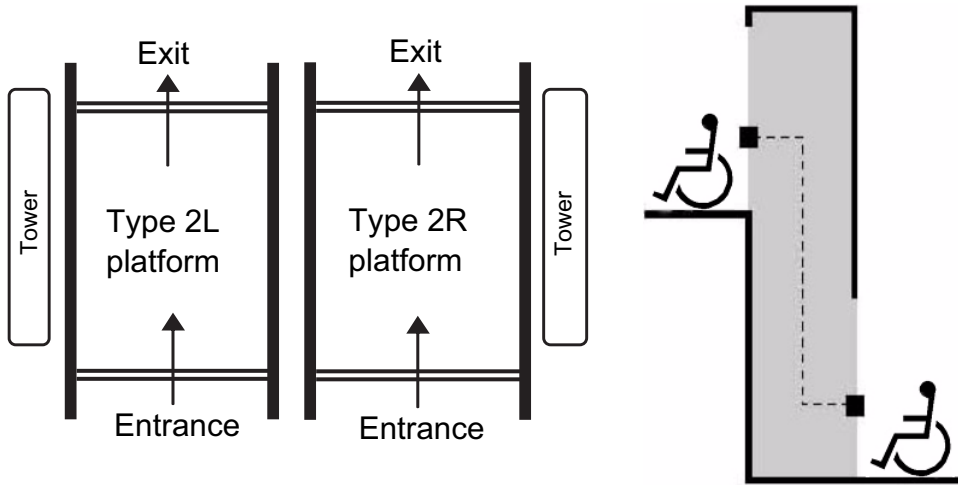
CSA: The Multilift is not approved for commercial use in Canada.

## Cab types

### Type 2 cab (standard)

For type 2 cabs, entry and exit are available from both ends of the platform.

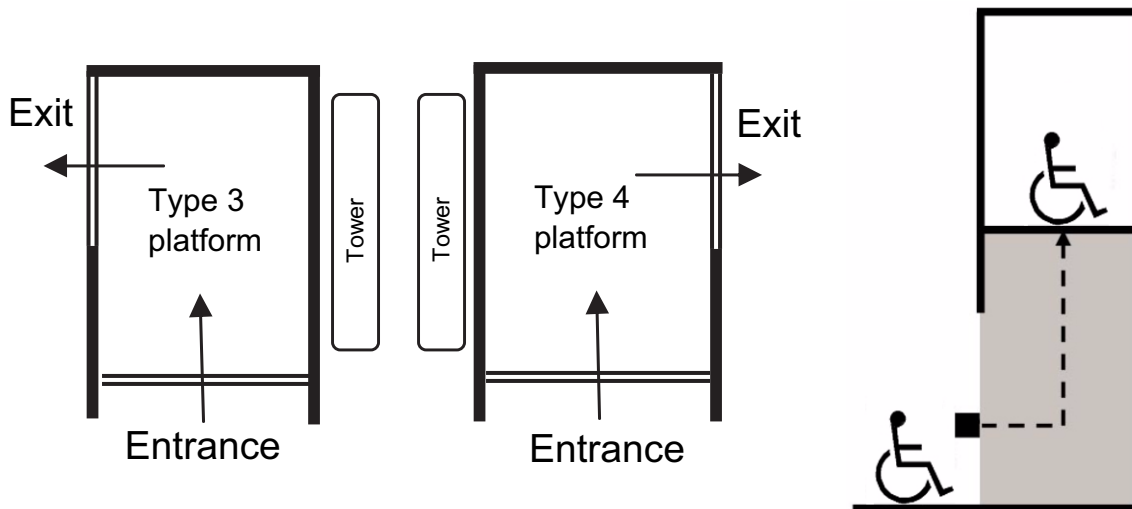
Figure 9: Type 2



### Type 3 and 4 cab (optional)

For type 3 and 4 cabs, entry and exit are available from one end and one side of the platform.

Figure 10: Type 3 and 4



---

## Drawings

The next several pages provide various Multilift drawings. Always refer to your installation drawings for details specific to your site.

- Elevation and plan view drawings (for the different cab types and sizes)
  - Type 2, enclosed hoistway, 34" x 48", 34" x 54", 34" x 60"
  - Type 3, enclosed hoistway, 35" x 47", 35" x 53", 35" x 59"
  - Type 4, enclosed hoistway, 35" x 47", 35" x 53", 35" x 59"
  
  - Type 2, unenclosed hoistway, 34" x 48", 34" x 54", 34" x 60"
  - Type 3, unenclosed hoistway, 35" x 47", 35" x 53", 35" x 59"
  - Type 4, unenclosed hoistway, 35" x 47", 35" x 53", 35" x 59"
  
  - Type 2 with platform gate, unenclosed hoistway, 36" x 48", 36" x 54", 36" x 60"
  - Type 3 with platform gate, unenclosed hoistway, 36" x 47", 36" x 53", 36" x 59"
  - Type 4 with platform gate, unenclosed hoistway, 36" x 47", 36" x 53", 36" x 59"
- Two sample landing gate layout drawings are provided
  - 42" x 36" auto left-hand gate
  - 42" x 36" manual left-hand gate
- Mobile Multilift drawing

Note: For specifications on other landing gates and doors, go to our website [www.savaria.com](http://www.savaria.com), select the "architects and builders" tab at the top of the page and then select "Doors and Gates" from the menu on the left-hand side of the page.

The link is as follows: <http://www.savaria.com/architects/drawings/doors-gates/index.php>.

Figure 11: Elevation and plan view - type 2, enclosed hoistway, 34" x 48", 34" x 54", 34" x 60"

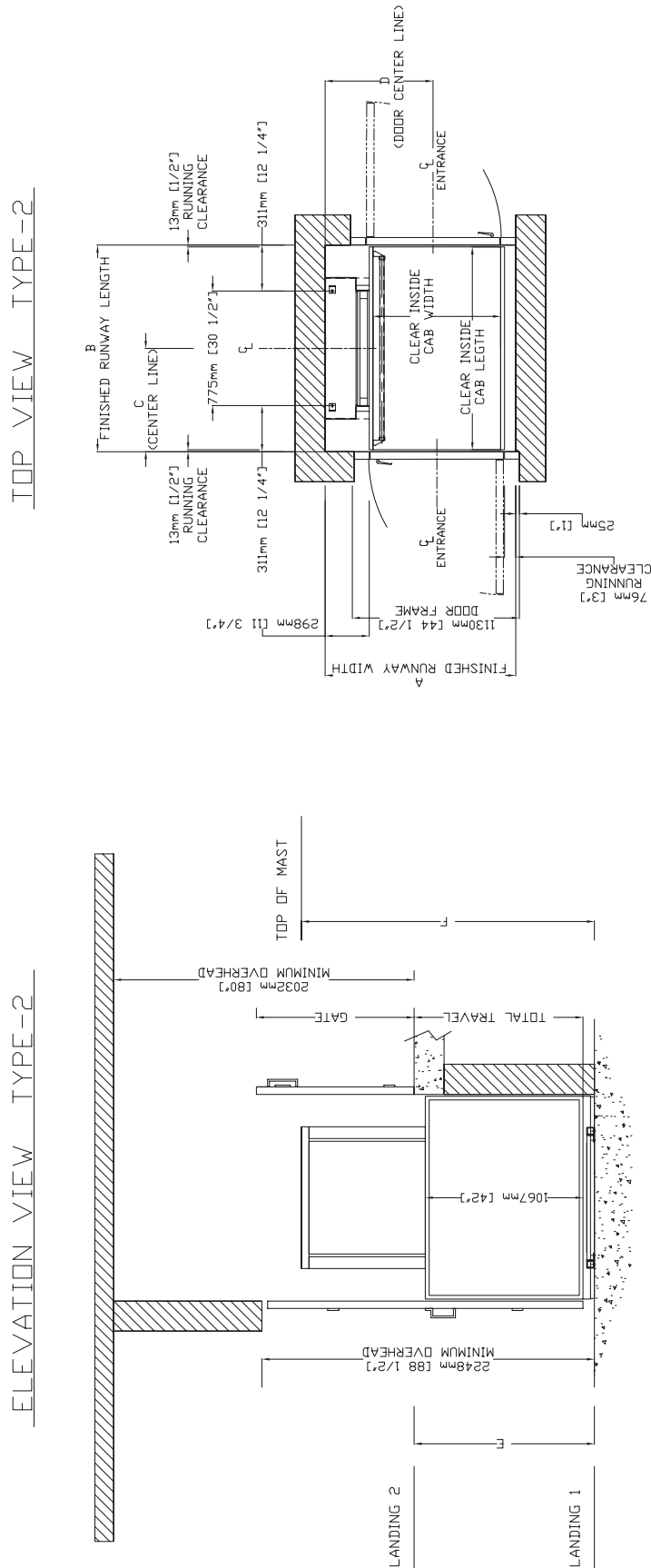


TABLE 1 - MAST HEIGHT

E Max. Travel	F Mast Height with 2" CAP	
	mm	Inches
1219 (48")	2032	80
1829 (72")	2642	104

TABLE 2 - HOISTWAY DIMENSION

CLEAR INSIDE CAB WIDTH	CLEAR INSIDE CAB LENGTH	A FINISHED RUNWAY WIDTH		B FINISHED RUNWAY LENGTH		C TOWER CENTER LINE		D DOOR CENTER LINE (IN CASE OF 36" DOOR)	
		mm	Inches	mm	Inches	mm	Inches	mm	Inches
864	1219	1289	50 3/4	1245	49	622	24 1/2	730	28 3/4
864	1372	1289	50 3/4	1397	55	699	27 1/2	730	28 3/4
864	1524	1289	50 3/4	1549	61	775	30 1/2	730	28 3/4

Figure 12: Elevation and plan view - type 3, enclosed hoistway, 35" x 47', 35" x 53", 35" x 59"

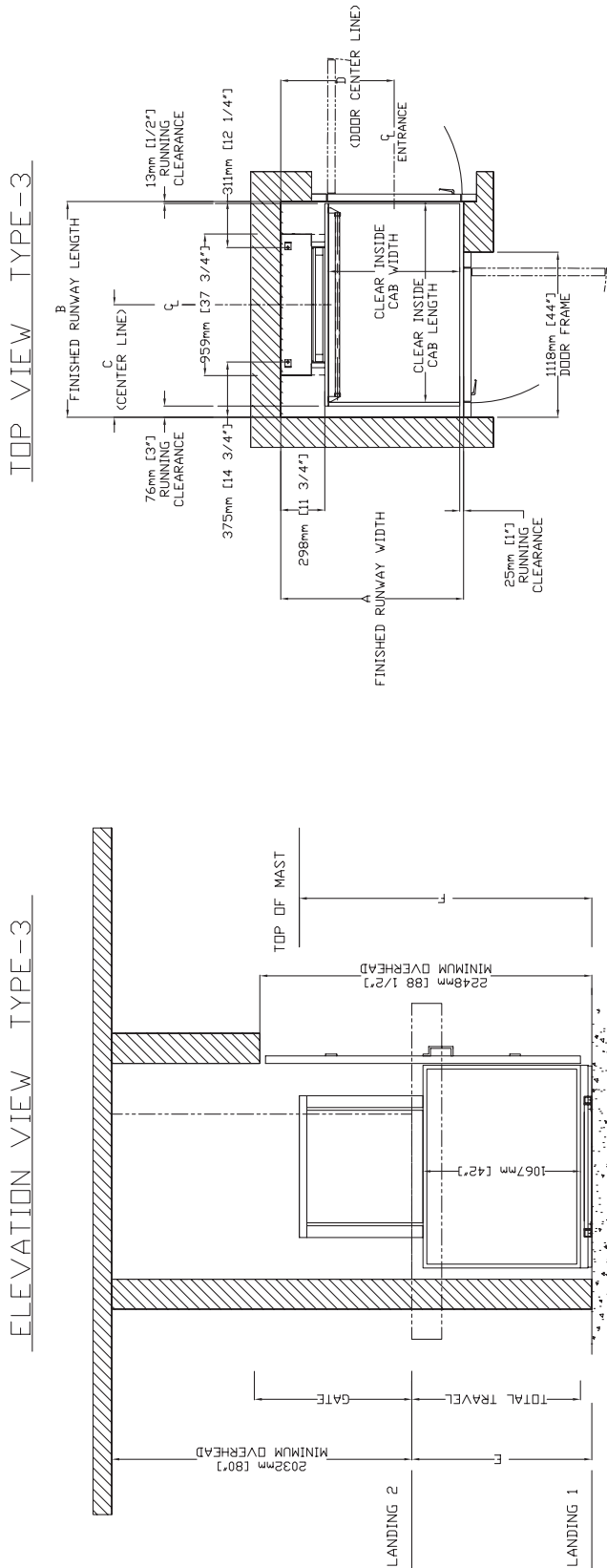


TABLE 2 - HOISTWAY DIMENSION

CLEAR INSIDE CAB WIDTH	CLEAR INSIDE CAB LENGTH		FINISHED RUNWAY WIDTH		FINISHED RUNWAY LENGTH		TOWER CENTER LINE		DOOR CENTER LINE (IN CASE OF 36" DOOR)	
	mm	Inches	mm	Inches	mm	Inches	mm	Inches	mm	Inches
889	35	1194	47	1306	51 1/2	762	30	768	30 1/4	768
889	35	1346	53	1461	57 1/2	762	30	768	30 1/4	768
888	35	1489	59	1613	63 1/2	762	30	768	30 1/4	768

TABLE 1 - MAST HEIGHT

E Max. Travel	F Mast Height with 2" CAP	
	mm	Inches
1219 (48")	2032	80
1829 (72")	2642	104

Figure 13: Elevation and plan view - type 4, enclosed hoistway, 35" x 47', 35" x 53", 35" x 59"

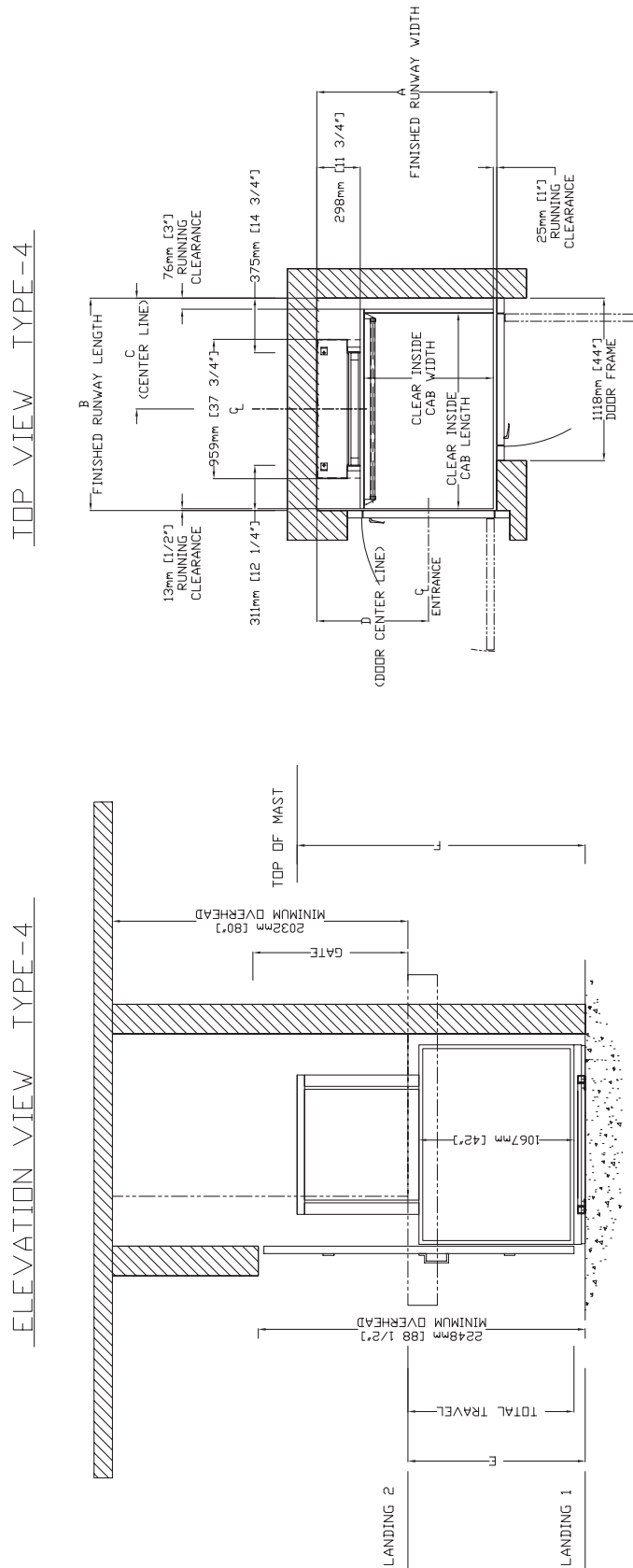


TABLE 2 - HOISTWAY DIMENSION

CLEAR INSIDE CAB		CLEAR INSIDE CAB		A		B		C		D	
WIDTH	LENGTH	mm	Inches	FINISHED RUNWAY WIDTH	FINISHED RUNWAY LENGTH	TOWER CENTER LINE	DOOR CENTER LINE	mm	Inches	mm	Inches
889	35	1194	47	1238	48 3/4	1308	51 1/2	762	30	768	30 1/4
889	35	1346	53	1238	48 3/4	1481	57 1/2	762	30	768	30 1/4
889	35	1489	59	1238	48 3/4	1613	63 1/2	762	30	768	30 1/4

TABLE 1 - MAST HEIGHT

E	F
Max. Travel	Mast Height with 2" CAP
mm (inches)	mm (inches)
1219 (48")	2032
1829 (72")	2642
	104

Figure 14: Elevation and plan view - type 2, unenclosed hoistway, 34" x 48', 34" x 54", 34" x 60"

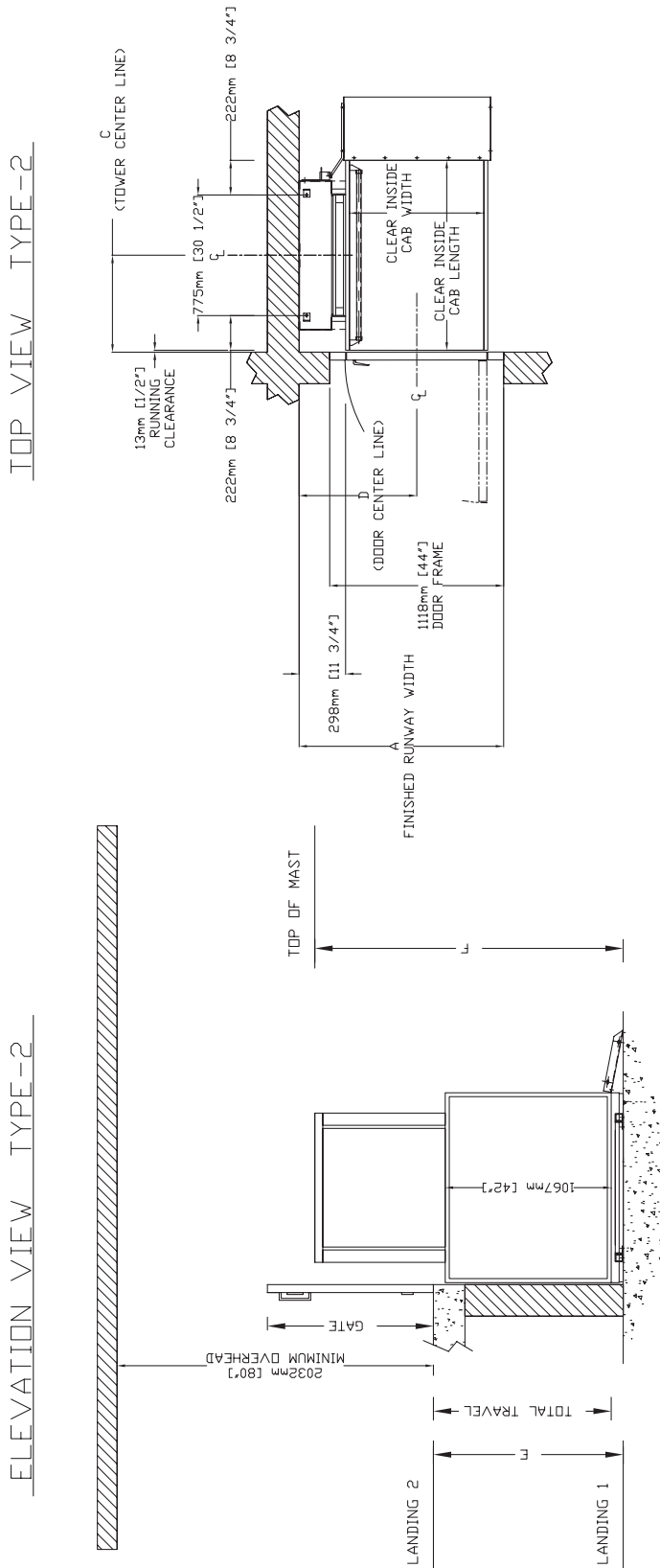


TABLE 2 - HOISTWAY DIMENSION

CLEAR INSIDE CAB WIDTH	A		B		C		D	
	CLEAR INSIDE CAB LENGTH	FINISHED RUNWAY WIDTH	FINISHED RUNWAY LENGTH	TOWER CENTER LINE	DOOR CENTER LINE (IN CASE OF 36" DOOR)			
mm	Inches	mm	Inches	mm	Inches	mm	Inches	
864	34	1219	48	51 3/4	822	24 1/2	756	29 3/4
864	34	1372	54	51 3/4	699	27 1/2	756	29 3/4
864	34	1524	60	51 3/4	775	30 1/2	756	29 3/4

TABLE 1 - MAST HEIGHT

E	F
Max.Travel (Inches)	Mast Height with 2" CAP
mm	mm
Inches	Inches
1219 (48")	2032
1829 (72")	2642



Figure 15: Elevation and plan view - type 3, unenclosed hoistway, 35" x 47", 35" x 53", 35" x 59"

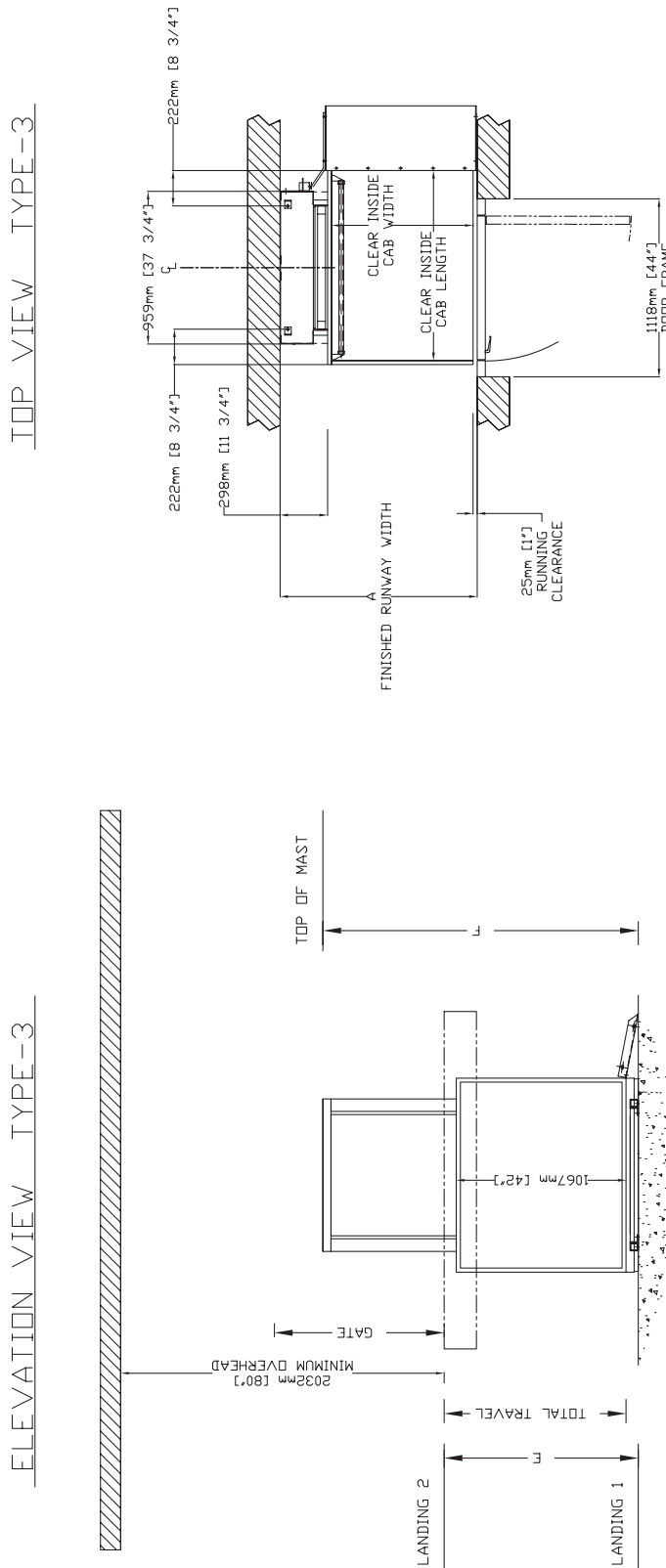


TABLE 1 - MAST HEIGHT

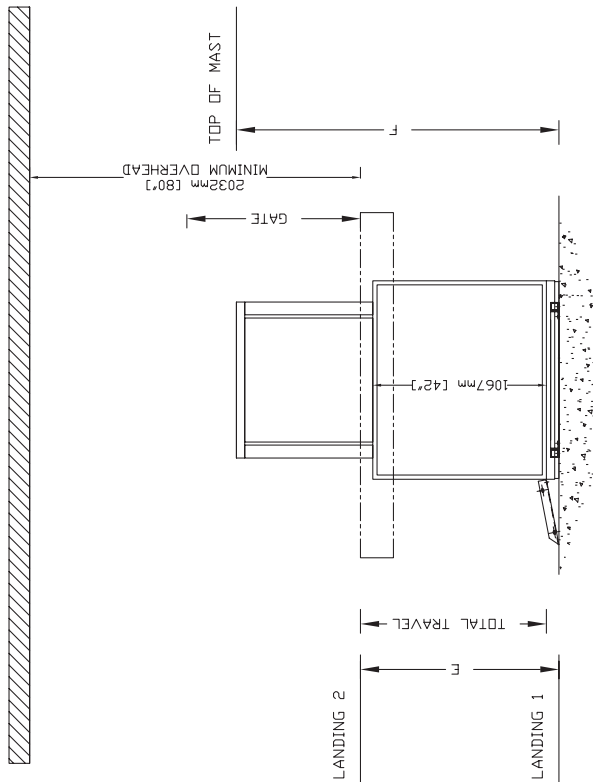
E		F	
Max.Travel	Mast Height with 2" CAP	mm	Inches
1219 (48")	80	2032	80
1829 (72")	104	2642	104

TABLE 2 - HOISTWAY DIMENSION

CLEAR INSIDE CAB WIDTH	A		FINISHED RUNWAY LENGTH	B		C		D	
	mm	Inches		mm	Inches	mm	Inches	mm	Inches
889	35	1194	47	1238	48 3/4	1238	48 3/4	1238	48 3/4
889	35	1346	53	1238	48 3/4	1238	48 3/4	1238	48 3/4
889	35	1499	59	1238	48 3/4	1238	48 3/4	1238	48 3/4

Figure 16: Elevation and plan view - type 4, unenclosed hoistway, 35" x 47', 35" x 53", 35" x 59"

ELEVATION VIEW TYPE-4



TOP VIEW TYPE-4

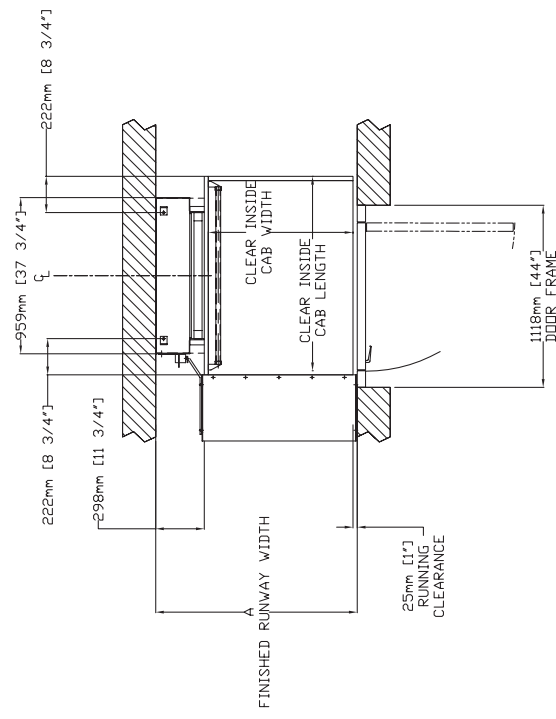


TABLE 1 - MAST HEIGHT

E	F
<b>Max.Travel</b>	<b>Mast Height with 2" CAP</b>
mm (Inches)	mm (Inches)
1219 (48")	2032 80
1829 (72")	2642 104

TABLE 2 - HOISTWAY DIMENSION

CLEAR INSIDE CAB WIDTH	CLEAR INSIDE CAB LENGTH	A		B		C		D	
		FINISHED RUNWAY WIDTH	FINISHED RUNWAY LENGTH	TOWER CENTER LINE	DOOR CENTER LINE				
mm	Inches	mm	Inches	mm	Inches	mm	Inches		
889	35	1194	47	1238	48 3/4	N/A	N/A	N/A	N/A
889	35	1346	53	1238	48 3/4	N/A	N/A	N/A	N/A
889	35	1499	59	1238	48 3/4	N/A	N/A	N/A	N/A

Figure 17: Elevation and plan view - type 2 with platform gate, unenclosed hoistway, 36" x 48", 36" x 54", 36" x 60"

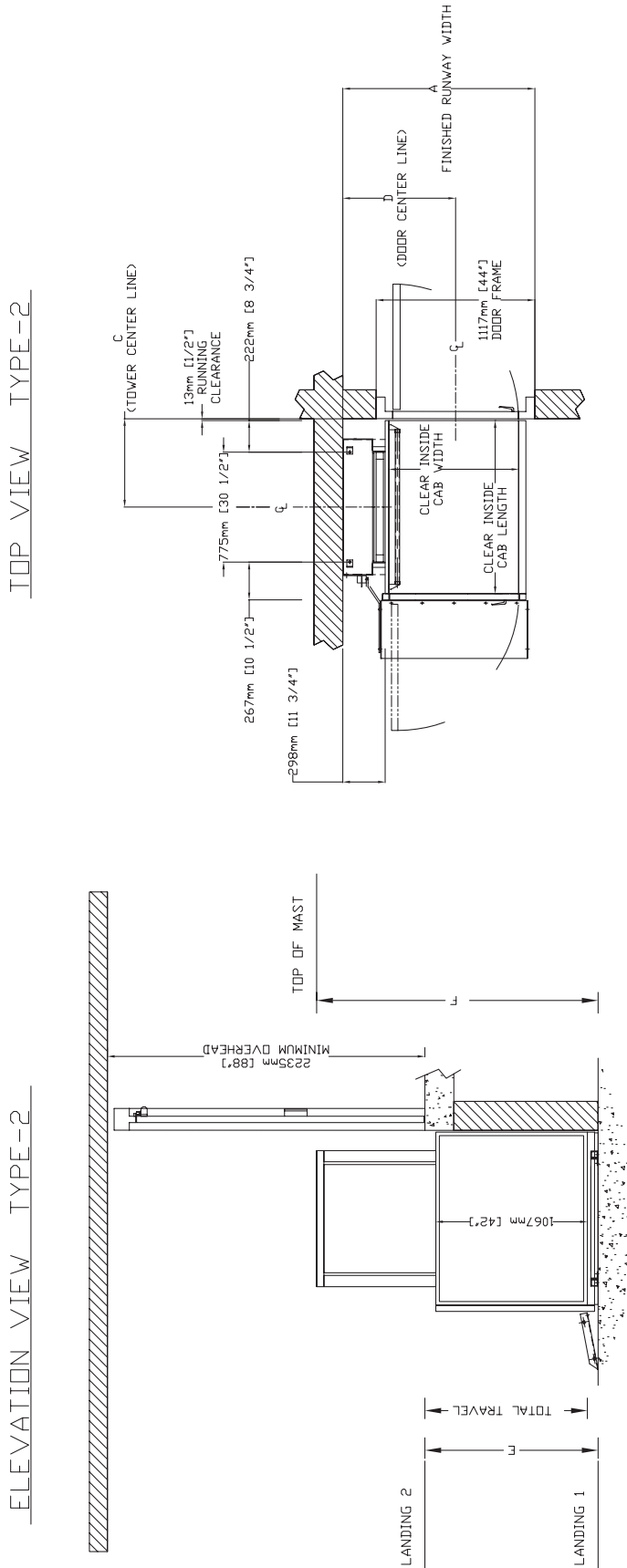


TABLE 2 - HOISTWAY DIMENSION

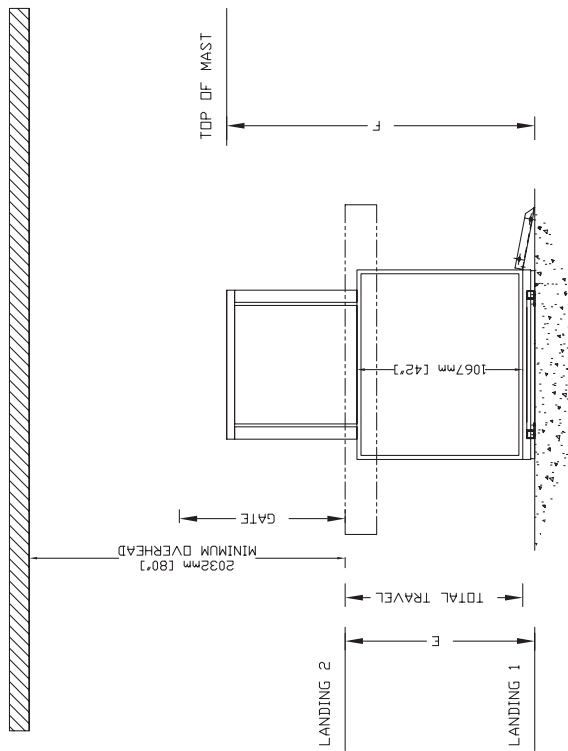
CLEAR INSIDE CAB WIDTH	CLEAR INSIDE CAB LENGTH	A		B		C		D	
		FINISHED RUNWAY WIDTH	FINISHED RUNWAY LENGTH	FINISHED RUNWAY LENGTH	TOWER CENTER LINE	DOOR CENTER LINE (IN CASE OF 36" DOOR)			
mm	Inches	mm	Inches	mm	Inches	mm	Inches	mm	Inches
914	36	1353	53 1/4	622	24 1/2	794	31 1/4		
914	36	1353	53 1/4	689	27 1/2	794	31 1/4		
914	36	1353	53 1/4	N/A		775	30 1/2	794	31 1/4

TABLE 1 - MAST HEIGHT

E	F	
	Max. Travel	Mast Height with 2" CAP
1219 (48")	mm	2032
1829 (72")	mm	2642
	Inches	104

Figure 18: Elevation and plan view - type 3 with platform gate, unenclosed hoistway, 36" x 47", 36" x 53", 36" x 59"

ELEVATION VIEW TYPE-3



TOP VIEW TYPE-3

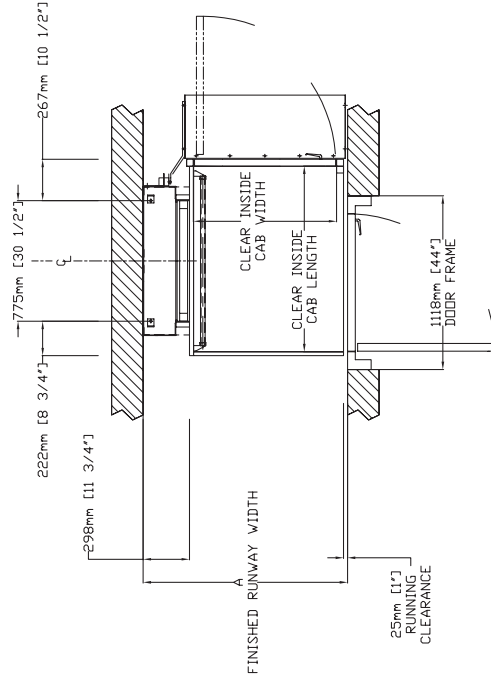


TABLE 1 - MAST HEIGHT

E	F
Max. Travel	Mast Height with 2" CAP
mm (Inches)	mm (Inches)
1219 (48")	2032 80
1829 (72")	2642 104

TABLE 2 - HOISTWAY DIMENSION

CLEAR INSIDE CAB WIDTH	CLEAR INSIDE CAB LENGTH		FINISHED RUNWAY WIDTH		FINISHED RUNWAY LENGTH		TOWER CENTER LINE		DOOR CENTER LINE (IN CASE OF 36" DOOR)	
	mm	Inches	mm	Inches	mm	Inches	mm	Inches	mm	Inches
914	36	1194	47	1314	51	3/4	1314	51	3/4	N/A
914	36	1346	53	1314	51	3/4	1314	51	3/4	N/A
914	36	1499	59	1314	51	3/4	1314	51	3/4	N/A

Figure 19: Elevation and plan view - type 4 with platform gate, unenclosed hoistway, 36" x 47", 36" x 53", 36" x 59"

TOP VIEW TYPE-4

ELEVATION VIEW TYPE-4

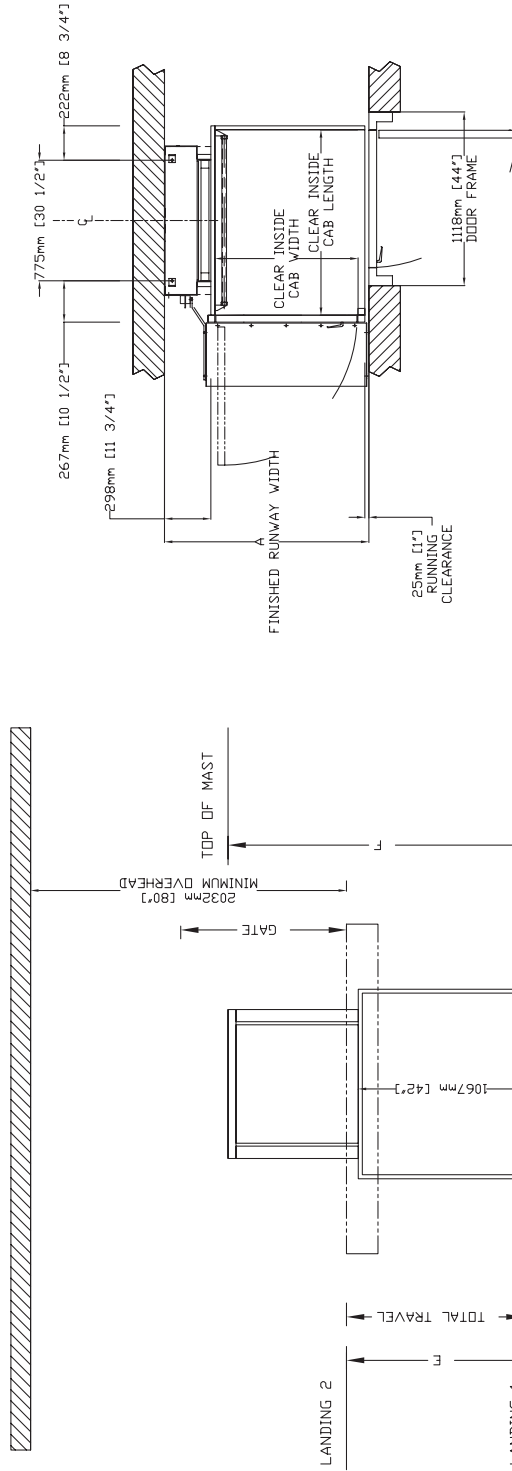


TABLE 2 - HOISTWAY DIMENSION

CLEAR INSIDE CAB WIDTH	CLEAR INSIDE CAB LENGTH		A FINISHED RUNWAY WIDTH		B FINISHED RUNWAY LENGTH		C TOWER CENTER LINE		D DOOR CENTER LINE (IN CASE OF 36" DOOR)			
	mm	Inches	mm	Inches	mm	Inches	mm	Inches	mm	Inches		
914	36	1194	47	1314	51	3/4	1314	51	3/4	1314	51	3/4
914	36	1346	53	1314	51	3/4	1314	51	3/4	N/A	N/A	N/A
914	36	1469	59	1314	51	3/4	1314	51	3/4	N/A	N/A	N/A

TABLE 1 - MAST HEIGHT

E Max.Travel	F Mast Height with 2" CAP
mm (Inches)	mm Inches
1219 (48")	2032 80
1829 (72")	2642 104

Figure 20: 42" x 36" Auto left-hand gate

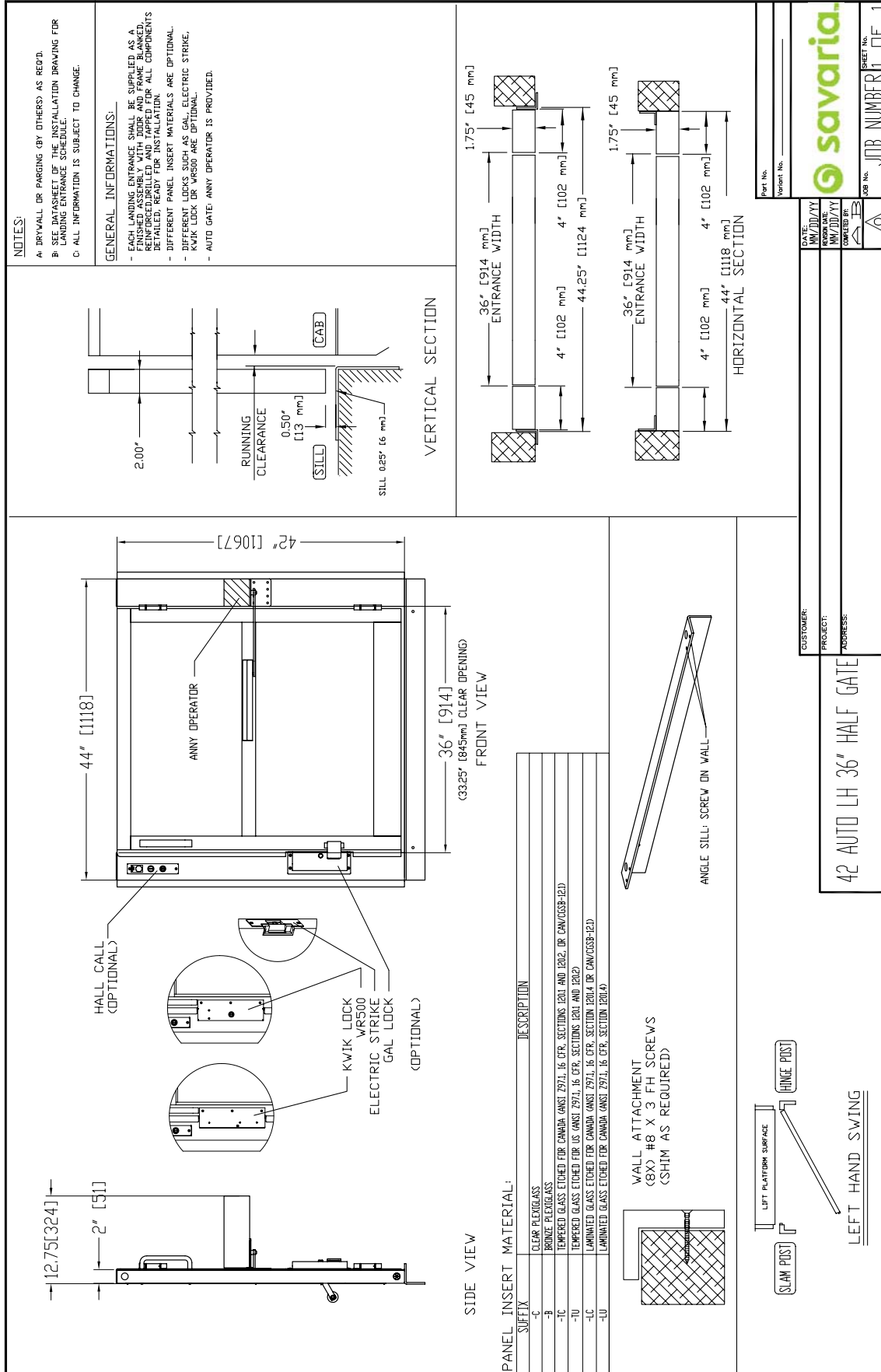


Figure 21: 42" x 36" Manual left-hand gate

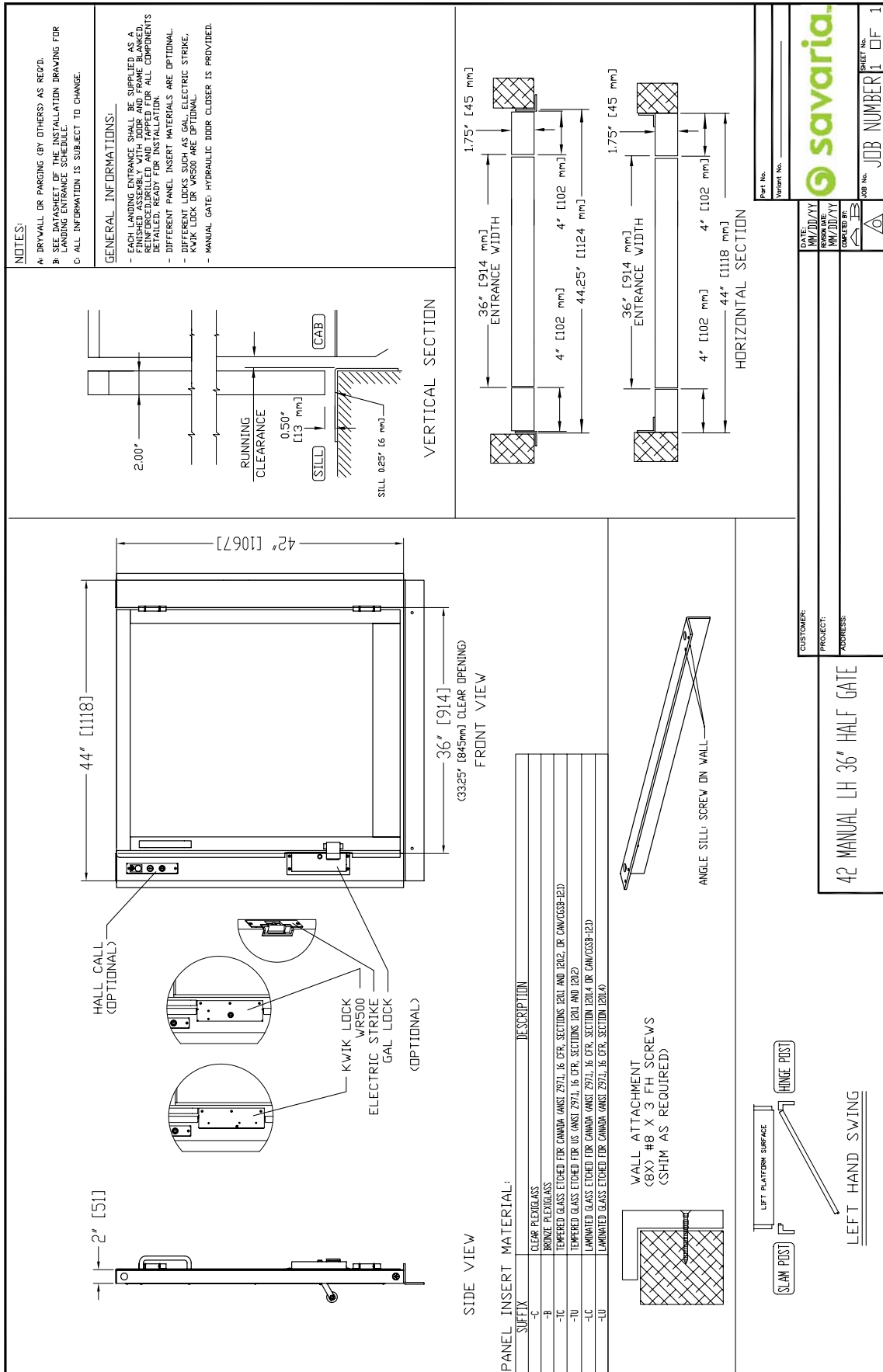
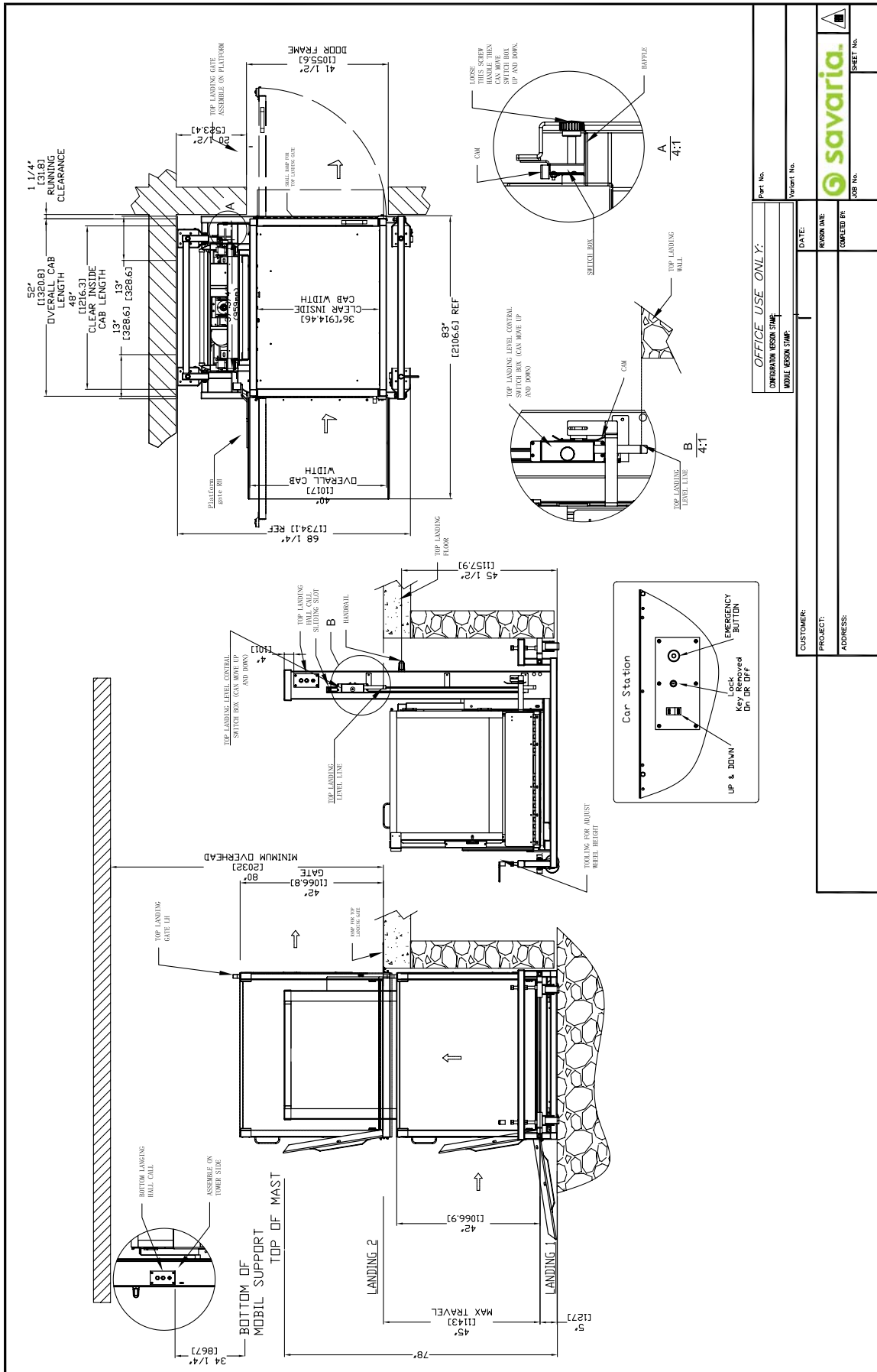


Figure 22: Mobile Multilift





## Provisions by others

# PROVISIONS BY OTHERS

## GENERAL

HOISTWAY - THE HOISTWAY MUST BE DESIGNED AND BUILT IN ACCORDANCE WITH 'SAFETY STANDARD FOR PLATFORM LIFTS AND STAIRWAY CHAIRLIFTS' OR 'SAFETY CODE FOR ELEVATORS AND ESCALATORS' AND ALL STATE/PROVINCIALS AND LOCAL CODES.

PLUMB RUNWAY- DUE TO CLOSE RUNNING CLEARANCES OWNER/AGENT MUST ENSURE THAT HOISTWAY AND PIT (WHERE PROVIDED) ARE LEVEL, PLUMB ( $\pm 1/8"$  (3 mm)) AND SQUARE AND ARE IN ACCORDANCE WITH THE DIMENSIONS ON THESE DRAWINGS.

MINIMUM OVERHEAD CLEARANCE- OWNER/AGENT MUST ENSURE MINIMUM OVERHEAD CLEARANCE IS IN COMPLIANCE WITH CODES.

CONSTRUCTION SITE- OWNER/AGENT TO PROVIDE ALL MASONRY, CARPENTRY AND DRYWALL WORK AS REQUIRED AND SHALL PATCH AND MAKE GOOD (INCLUDING FINISH PAINTING) ALL AREAS WHERE WALLS/FLOORS MAY REQUIRE TO BE CUT, DRILLED OR ALTERED IN ANY WAY TO PERMIT THE PROPER INSTALLATION OF THE LIFT.

DIMENSIONS- CONTRACTOR/CUSTOMER TO VERIFY ALL DIMENSIONS AND REPORT ANY DISCREPANCIES TO OUR OFFICE IMMEDIATELY.

## STRUCTURAL

FLOOR/SUPPORT WALL LOADS-STRUCTURAL ENGINEER TO ASSURE THAT BUILDING AND SHAFT WILL SAFELY SUPPORT ALL LOADS IMPOSED BY THE LIFT EQUIPMENT. REFER TO THE LOAD DIAGRAM ON THIS DRAWING.

MAST TO BE SECURELY FASTENED- WHERE REQUIRED THE MAST MUST BE SECURELY FASTENED TO THE STRUCTURAL SUPPORT WALL. REFER TO WALL / FLOOR SUPPORT LOAD DIAGRAM AND WALL LAG DIMENSIONS ON THIS DRAWING.

WHERE DOORS ARE REQUIRED- SUITABLE LINTELS MUST BE PROVIDED BY OWNER/AGENT. DOOR FRAMES ARE NOT DESIGNED TO SUPPORT OVERHEAD WALL LOADS.

## ELECTRICAL

GENERAL- ELECTRICAL EQUIPMENT AND WIRING TO COMPLY WITH SECTION 38 OF CSA C22.1 (CANADA) OR SECTION 620 OF NEC ANSI/NFPA 70 (USA).

POWER SUPPLY-120VAC, 20A, 60HZ, 1PH CIRCUIT THROUGH A FUSE DISCONNECT WITH AUXILIARY CONTACT ON MAIN POWER SUPPLY. PROVIDE TWO 18 AWG CONDUCTORS BETWEEN CONTACT AND CONTROLLER.

LIGHTING-LIGHTING OF 100 LX MIN. AT PLATFORM AND LANDINGS. LIGHTING WITH SWITCH AND ELECTRICAL GFCI OUTLET IN HOISTWAY PIT.

ADDITIONAL BRANCH CIRCUIT- BRANCH CIRCUIT WITH DISCONNECT FOR DOOR OPERATORS (IF EQUIPPED) (120VAC, 15A, 60HZ, 1PH) BRANCH CIRCUIT WITH DISCONNECT FOR VENTILATION SYSTEM (IF EQUIPPED) (120VAC, 15A, 60HZ, 1PH)

## ENTRANCES

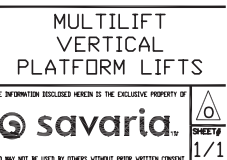
UPPER LANDING GATES- WHERE REQUIRED, SMOOTH SOLID BARRIERS ARE TO BE SUPPLIED AND INSTALLED ON BOTH SIDES OF ENTRANCE AT UPPER LEVEL AND MUST BE A MINIMUM OF 42" (1067 mm) HIGH. ENTRANCE ASSEMBLY MUST BE IN PLACE PRIOR TO THIS PROVISION.

FASCIA PANEL BELOW UPPER LEVEL ENTRANCE- WHERE REQUIRED, FASCIA PANEL MUST BE FASTENED TO A SOLID WALL AND BE PERPENDICULAR TO THE FLOOR AND WALLS. HOISTWAY FASCIA IS NOT SELF-SUPPORTING FOR LONG, CONTINUOUS RUNS VOID OF ENTRANCES. ADEQUATE SUPPORT FOR THE FASCIA MUST BE PROVIDED.

ENTRANCE ASSEMBLIES- ENTRANCE ASSEMBLIES MUST BE ADJUSTED TO ALIGN WITH PLATFORM AND INTERLOCK EQUIPMENT. OTHERS TO ALLOW AN ADEQUATE ROUGH OPENING.

RETURN WALLS- RETURN WALLS AT ENTRANCES MUST BE BUILT-IN BY OTHERS AFTER ENTRANCE ASSEMBLIES ARE IN PLACE. ENTRANCE ASSEMBLY MUST BE SECURELY FASTENED TO WALLS.

ALL INFORMATION IS SUBJECT TO CHANGE.  
PLEASE REFERENCE OUR ON-LINE DRAWINGS AT  
[www.savaria.com](http://www.savaria.com) FOR THE MOST RECENT UPDATES



## Architect specifications

### SECTION 14202 ELEVATORS AND LIFTS

#### PART 1 GENERAL

##### 1.1 SECTION INCLUDES

- A. Vertical platform lifts.

##### 1.2 RELATED SECTIONS

- A. Division 16 Sections for electrical service for elevators to and including disconnect and fused switches at machine room.
- B. Division 16 Sections for standby power source, transfer switch, and connection from auxiliary contacts in transfer switch to controller.
- C. Division 16 Section "Voice and Data Communication Cabling" for telephone service to elevators.
- D. Section 03300 - Cast-in-Place Concrete: Concrete for elevator machine foundation, and pit.
- E. Section 06100 - Rough Carpentry: Hoistway framing, building-in hoistway door frames and overhead hoist beams.
- F. Section 08210 - Wood Doors: Hoistway doors.
- G. Section 08710 - Door Hardware.
- H. Section 09260 - Gypsum Board Assemblies: Gypsum shaft walls.
- I. Section 09650 - Resilient Flooring: Floor finish in cab.
- J. Section 09686 - Carpet: Floor finish in cab.
- K. Section 09900 - Paints and Coatings: Interior transparent wood finish in cab.
- L. Section 13850 - Detection and Alarm: Fire and smoke detectors and interconnecting devices.

##### 1.3 REFERENCES

- A. American National Standards Institute (ANSI) B-29.2 - Chain Standards for Inverted Tooth (Silent) Chains and Sprockets.
- B. American Society of Mechanical Engineers (ASME) A17.1 - Safety Code for Elevators and Escalators.
- C. American Society of Mechanical Engineers (ASME) A18.1 - Safety Standard for Platform and Stairway Chair Lifts.
- D. U.S. Architectural & Transportation Barriers Compliance Board's "Americans with Disabilities Act (ADA), Accessibility Guidelines for Buildings and Facilities (ADAAG)".

##### 1.4 REQUIREMENTS OF REGULATORY AGENCIES:

- A. Fabricate and install work in compliance with applicable jurisdictional authorities.
- B. File shop drawings and submissions with local authorities as the information is made available. Company pre-inspection and jurisdictional authority inspections and permits are to be made on timely basis as required.

##### 1.5 SUBMITTALS

- A. Submit under provisions of Section 01300.
- B. Product Data: Manufacturer's data sheets on each product to be used, including:
  1. Preparation instructions and recommendations.
  2. Storage and handling requirements and recommendations.
  3. Installation methods.
- C. Shop Drawings: Provide a complete layout of lift equipment detailing dimensions and clearances as required.
- D. Selection Samples: For each finish product specified requiring selection of color or finish, two complete sets of color charts representing manufacturer's full range of available colors and patterns.

##### 1.6 QUALITY ASSURANCE

- A. Installer Qualifications:
  1. Skilled tradesmen shall be employees of the installing contractor approved by the manufacturer, with demonstrated ability to perform the work on a timely basis.
  2. Execute work of this section only by a company that has adequate product liability insurance.

##### 1.7 DELIVERY, STORAGE, AND HANDLING

- A. Store products in manufacturer's unopened packaging until ready for installation.
- B. Store and dispose of solvent-based materials, and materials used with solvent-based materials, in accordance with requirements of local authorities having jurisdiction.

## 1.8 PROJECT CONDITIONS

- A. Maintain environmental conditions (temperature, humidity, and ventilation) within limits recommended by manufacturer for optimum results. Do not install systems under environmental conditions outside manufacturer's absolute limits.

## 1.9 WARRANTY

- A. Coverage - this warranty applies to the repair or replacement, at Manufacturer's option, of parts that fail due to defective material or workmanship. Manufacturer may, at its option, provide factory reconditioned parts. This warranty is provided to the Authorized Dealer on behalf of the final purchaser of the product and is not transferable. The Manufacturer's warranty does not cover labor charges for the removal, repair or replacement of warranty parts but such costs may be covered for a period of time by Authorized Dealer's warranty, which is provided to purchaser separately.
  1. The manufacturer shall offer a 36-month warranty on parts from date of substantial completion.

## PART 2 PRODUCTS

### 2.1 MANUFACTURERS

- A. Acceptable Manufacturer: Savaria, which is located at: 107 Alfred Kuehne Blvd. ; Brampton, ON, Canada L6T 4K3; Toll Free Tel: 800-661-5112; Tel: 905-791-5555; Fax: 905-791-2222; Email: [request info](mailto:requestinfo@savaria.com); Web: [www.savaria.com](http://www.savaria.com)
- B. Requests for substitutions will be considered in accordance with provisions of Section 01600.

### 2.2 SCREW VERTICAL PLATFORM LIFT

- A. Screw Vertical Platform Lifts: Savaria - Multilift.
- B. Screw Vertical Platform Lift: The lift described here, manufactured by Savaria Lifts Inc., is a vertical platform lift consisting of a tower with a lifting platform. The platform can be customized to better accommodate a wheelchair user or a person with impaired mobility. The lift can be used indoor or outdoor (with optional package) and in commercial and residential applications.
- C. Characteristics:
  1. Rated Load: 750 lb (340 kg).
  2. Rated Speed: 8 fpm (0.04 m/s).
  3. Car Dimensions: 34 inches W by 48 inches D (864 mm by 1219 mm).
  4. Levels Serviced: 2.
  5. Car Access: Front/rear exit.
  6. Travel: 72 inches (maximum) (1827 mm)
  7. Operations: Constant pressure.
  8. Power Supply: 120 volt, 20 amp, 1 phase, 60 Hz.
  9. Drive System: ACME screw and back-up nut.
  10. Paint: Powder coat finish
  11. Emergency Power: Battery operation in down direction
  12. Controller: Electronic-free relay logic.
  13. Side Guard Panels: 42 inches (1067 mm) with metal inserts.
- D. Car Operation:
  1. Car operating panel shall consist of constant pressure buttons or rocker switches, an emergency stop button, and an on/off key switch.
  2. Emergency operation- A manual hand crank is used to lower or raise the platform in case of emergency.
- E. Acme Screw Drive: The screw should have a diameter of 1 inch (25 mm) and a back-up nut shall be installed for security reasons. No brakes are required.
- F. Leveling Device: All limit switches and leveling device switches shall be located in a position to be inaccessible to unauthorized persons. They shall be located behind the mast wall and be accessible through removable panels.
- G. Call Stations: Provide a surface, flush, or doorframe mounted call/send station.
- H. Terminal Stopping Device: Normal terminal stopping devices shall be provided at top and bottom of runway to stop the car positively and automatically.
- I. Guide Rails and Bracket: Guide rails and brackets shall be used to guide the platform and sling. Roller guide shoes are bolted to the platform to make it roll on the rails. Guide rails shall form part of the structural integrity of the unit and be integral to the mast enclosure, ensuring stability and minimum platform deflection when loaded.

- 
- J. Car Sling: Car sling shall be fabricated from steel tubing 44 inches high (1117 mm) with adequate bracing to support the platform and car enclosure. Roller guide shoes shall be mounted on the top and bottom of the car sling to engage the guide rails. Guide shoes to be roller type with 3 inches (76 mm) diameter wheels.
  - K. Wiring: All wiring and electrical connections shall comply with applicable codes. Insulated wiring shall have flame-retardant and moisture proof outer covering and shall be run in conduit, or electrical wire ways.

### PART 3 EXECUTION

#### 3.1 EXAMINATION

- A. Do not begin installation until hoistway and machine room has been properly prepared.
- B. Site dimensions shall be taken to verify that tolerances and clearances have been maintained and meet local regulations.
- C. If substrate preparation is the responsibility of another installer, notify Architect of unsatisfactory preparation before proceeding.

#### 3.2 PREPARATION

- A. Clean surfaces thoroughly prior to installation.
- B. Prepare surfaces using the methods recommended by the manufacturer for achieving the best result for the substrate under the project conditions.

#### 3.3 LIFT INSTALLATION

- A. Install all the components of the lift system that are specified in this section to be provided, and that are required by jurisdictional authorities to license the lift.
- B. Trained employees of the lift contractor shall perform all installation work of this section.
- C. Adjust lift for proper operation and clean unit thoroughly.
- D. Instruct users in operation procedures and Owner's maintenance person in trouble-shooting and maintenance procedures.

#### 3.4 PROTECTION

- A. Protect installed products until completion of project.
- B. Touch-up, repair or replace damaged products before Substantial Completion.

END OF SECTION



# **Multilift**

## **Vertical Platform Lift**

### **PLANNING GUIDE**

Part No. 000736  
Copyright © 2011

Savaria Corporation  
Lifts and Elevators  
[www.savaria.com](http://www.savaria.com)

Support  
107 Alfred Kuehne Blvd.  
Brampton, Ontario, L6T 4K3, Canada  
Toll free: (800) 791-7999  
Fax: (905) 791-2222

